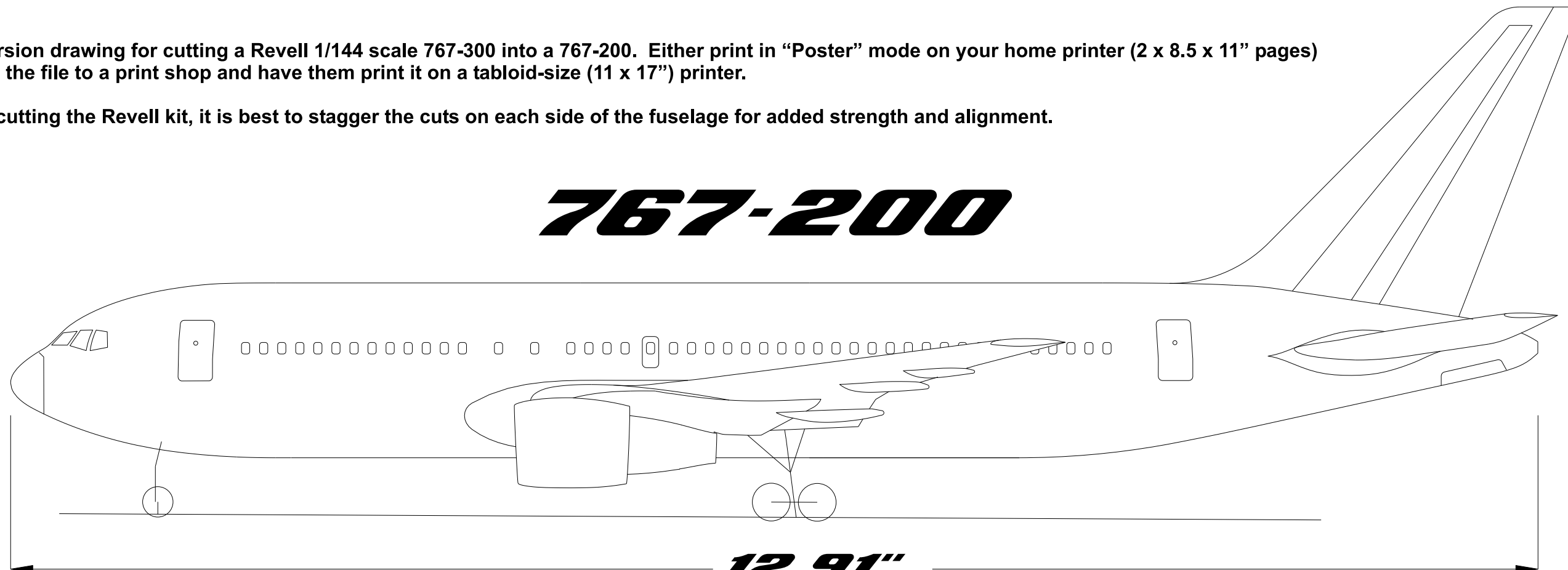


Conversion drawing for cutting a Revell 1/144 scale 767-300 into a 767-200. Either print in "Poster" mode on your home printer (2 x 8.5 x 11" pages) or take the file to a print shop and have them print it on a tabloid-size (11 x 17") printer.

When cutting the Revell kit, it is best to stagger the cuts on each side of the fuselage for added strength and alignment.

# 767-200



**12.91"**  
**328mm**

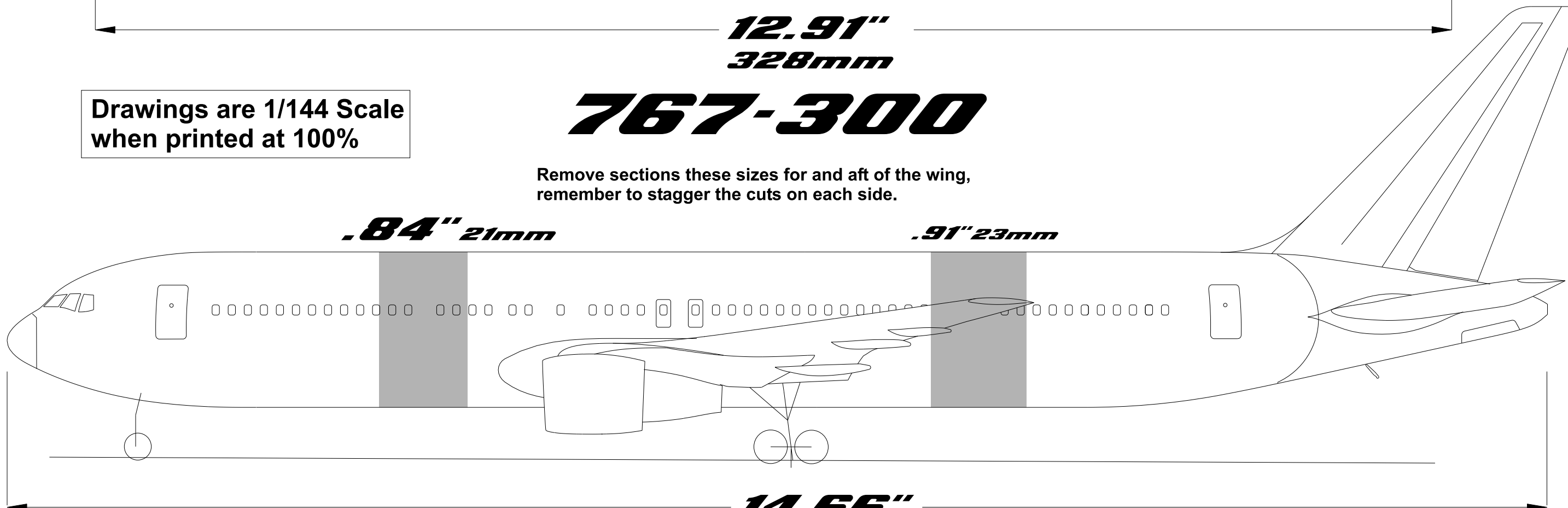
Drawings are 1/144 Scale  
when printed at 100%

# 767-300

Remove sections these sizes for and aft of the wing,  
remember to stagger the cuts on each side.

**.84" 21mm**

**.91" 23mm**



**14.66"**  
**372mm**

Drawings obtained from the BOEING Company and are offered by DRAW Decal solely for the purpose of scale modeling. Information offered here is free of charge and no warranty or authenticity offered or implied.