

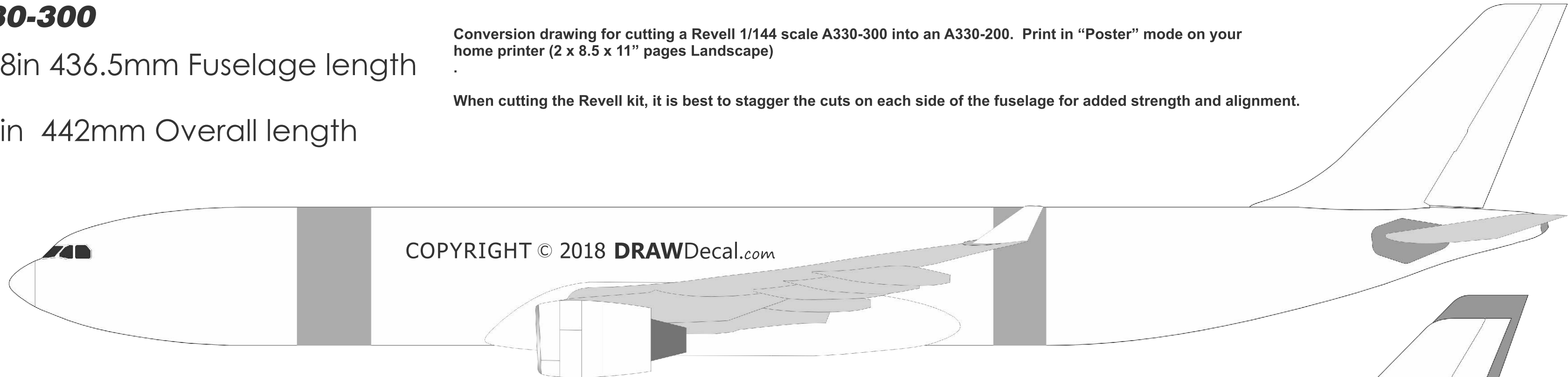
A330-300

17.18in 436.5mm Fuselage length

17.4in 442mm Overall length

Conversion drawing for cutting a Revell 1/144 scale A330-300 into an A330-200. Print in "Poster" mode on your home printer (2 x 8.5 x 11" pages Landscape)

When cutting the Revell kit, it is best to stagger the cuts on each side of the fuselage for added strength and alignment.



COPYRIGHT © 2018 DRAWDecal.com

A330-200

21mm

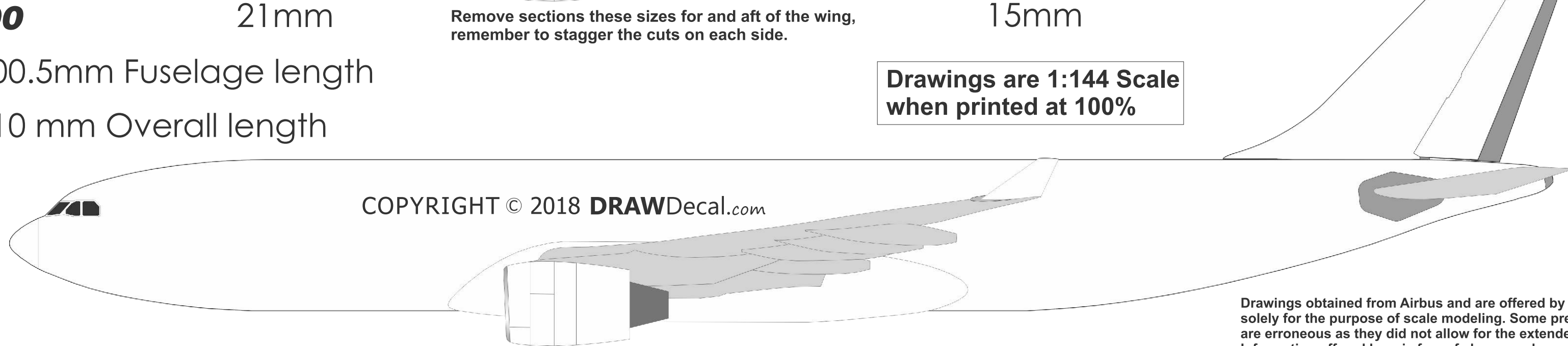
15.77in 400.5mm Fuselage length

16.13in 410 mm Overall length

Remove sections these sizes for and aft of the wing, remember to stagger the cuts on each side.

15mm

Drawings are 1:144 Scale when printed at 100%



COPYRIGHT © 2018 DRAWDecal.com

-300 Tail 58mm/3.55in tall
 -200 Tail 65mm/3.73in tall
 7mm/.23in extended chord
 6mm/.18in extended height

Drawings obtained from Airbus and are offered by DRAW Decal solely for the purpose of scale modeling. Some previous conversions are erroneous as they did not allow for the extended chord of the -200's tail. Information offered here is free of charge and no warranty or authenticity offered or implied.